

# The Series KF700M/700MD Mini Electromagnetic Flowmeter

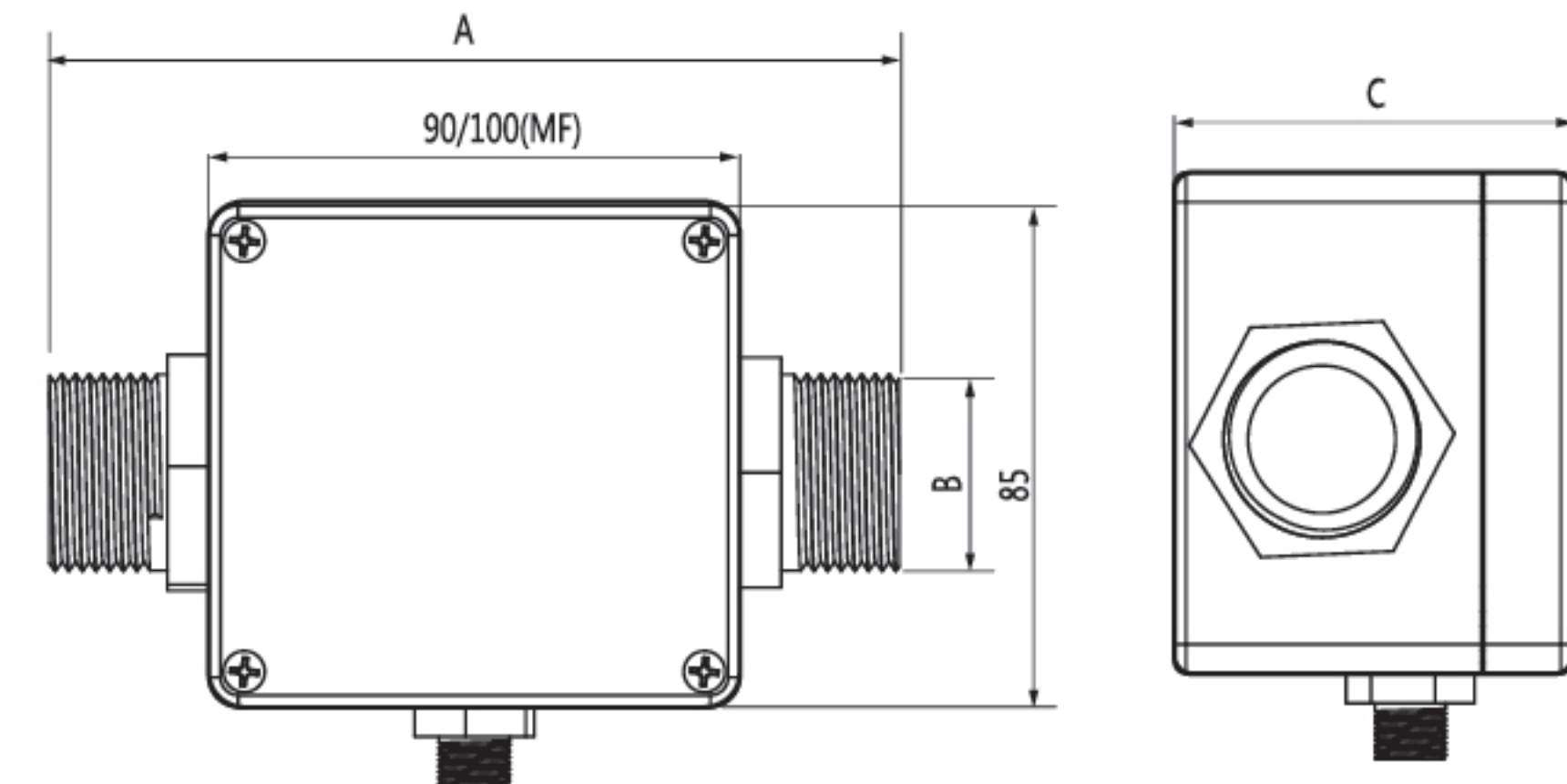
From DN2 to DN25, with a minimum measurable flow of 100 milliliters per minute



KF700M



KF700MD



The Series KF700M/700MD Mini Electromagnetic Flowmeter can measure extremely low flow rates in small pipeline systems. It has a compact design and is suitable for narrow-space pipe or equipment systems, such as small production equipment and laboratory devices where installation space is limited. Available in sizes ranging from DN2 to DN25 with a minimum measurable flow rate of 100 ml/min, its compact size and threaded connection allow easy installation, making it the preferred replacement for turbine flowmeters. Powered by 24V DC, it outputs pulse signals or 4-20mA current signals with factory-set pulse equivalents. Designed for remote display/control, data acquisition, and remote measurement applications.

## FEATURES

- Pipe size from DN2 to DN25, with a minimum measurable flow of 100 milliliters per minute
- Ensures accurate measurement even when temperature, density, or viscosity changes, thereby improving system efficiency
- Features long service life, low cost, and minimal maintenance needs
- No moving parts, avoiding wear, tear, or damage
- Electrode design with anti-fouling and anti-damage properties
- Adopts an unobstructed flow measurement method, resulting in no pressure loss

## APPLICATIONS

- Petrochemical Industry
- Metallurgical Industry
- Textile Industry
- Pharmaceutical Industry
- Semiconductor Industry
- Food and Beverage Industry
- Paper and Pulp
- Power Plants
- Urban Water Supply and Drainage
- Environmental Protection
- Shipbuilding Industry

SPECIFICATIONS	
<b>Pipe Size</b>	From DN2 to DN25
<b>Electrode Material</b>	316L; optional: Hastelloy Hc, titanium alloy (Ti)
<b>Service</b>	Conductive liquids compatible with the selected material
<b>Medium Conductivity</b>	>20µs/cm
<b>Accuracy</b>	±2%RD
<b>Flow Velocity Range</b>	0.3m/s - 10m/s
<b>Temperature Rating</b>	-10°C to 60°C
<b>Pressure Rating</b>	PN6,PN10
<b>Enclosure Rating</b>	IP67
<b>Output Signal</b>	4-20mA + pulse + RS485
<b>Power Requirements</b>	24V DC
<b>Electrical Connections</b>	M20*1.5
<b>Housing Material</b>	Aluminum

Model Chart										
<b>Example</b>	<b>KF700M</b>	<b>-A</b>	<b>-6</b>	<b>-1</b>	<b>-L</b>	<b>-1</b>	<b>-1</b>	<b>-NPT</b>		
<b>Series</b>	KF700M									Mini Electromagnetic Flowmeter
	KF700MD									Mini Electromagnetic Flowmeter with LCD Display
<b>Converter Type</b>		A								Intergrated Type
<b>Pipe Size</b>			2							DN2, BSP 3/8" male, 0.1 - 1 L/min, A x C = 130x67.5
			3							DN3, BSP 3/8" male, 0.2 - 2 L/min, A x C = 130x67.5
			4							DN4, BSP 3/8" male, 0.4 - 4 L/min, A x C = 130x67.5
			6							DN6, BSP 3/8" male, 0.8 - 8 L/min, A x C = 140x67.5
			8							DN8, BSP 1/2" male, 1.5 - 15 L/min, A x C = 140x67.5
			10							DN10, BSP 1/2" male, 2 - 20 L/min, A x C = 140x67.5
			15							DN15, BSP 1/2" male, 5 - 50 L/min, A x C = 140x67.5
			20							DN20, BSP 3/4" male, 9 - 90 L/min, A x C = 150x67.5
		25							DN25, BSP 1" male, 15 - 150 L/min, A x C = 160x67.5	
<b>Connection Material</b>				1						316L Stainless Steel
<b>Electrode Material</b>					L					316L Stainless Steel
					C					Hastelloy Hc
					T					Titanium (Ti)
<b>Process Connection</b>						1				Thread
						2				Clamp
						3				Flange
<b>Output Signal</b>							1			4-20mA + Pulse(Not isolated)
							2			4-20mA + Pulse + RS485(Only for KF700MD)
<b>Option</b>								NPT		Change to NPT Connection